



ZT57250

MIXING CONSOLE

MG06X

MG06 Technical Specifications

General Specifications

0 dBu = 0.775 Vrms Output impedance of signal generator (Rs) = 150 Ω
All level knobs are nominal if not specified.

Frequency Response	Input to STEREO OUT	+0.5 dB/-0.5 dB (20 Hz to 20 kHz), refer to the nominal output level @ 1 kHz, GAIN knob: Min
Total Harmonic Distortion (THD+N)	Input to STEREO OUT	0.01 % @ +8 dBu (20 Hz to 20 kHz), GAIN knob: Min 0.003 % @ +18 dBu (1 kHz), GAIN knob: Min
Hum&Noise *1 (20 Hz to 20 kHz)	Equivalent Input Noise	-128 dBu (Mono Input Channel, Rs: 150Ω, GAIN knob: Max)
	Residual Output Noise	-102 dBu (STEREO OUT, STEREO LEVEL knob: Min)
Crosstalk (1 kHz) *2		-88 dB
Input Channels		6 channels: Mono (MIC/LINE): 2, Stereo (LINE): 2
Output Channels		STEREO OUT: 2, PHONES: 1
Bus		STEREO: 1
Mono Input Channel Function	PAD	26 dB
	HPF	80 Hz, 12 dB/oct
	EQ HIGH	Gain: +15 dB/-15 dB, Frequency: 10 kHz shelving
	EQ LOW	Gain: +15 dB/-15 dB, Frequency: 100 Hz shelving
	PEAK LED	LED turns on when post EQ signal reaches 3 dB below clipping (+11 dBu)
Level Meter	Post STEREO LEVEL Knob	2 x 7-segment LED meter [PEAK (+11), +6, +3, 0, -3, -10, -20 dB]
Internal Digital Effect (MG06X)	SPX Algorithm	6 programs
Phantom Power Voltage		+48 V
Power Supply Adaptor		PA-130 (DC12 V/1.0 A, Cable length = 1.8 m), 120 V, 60 Hz, or MU18 (DC12 V/1.5 A, Cable length = 1.5 m), 100 V-240 V, 50 Hz/60 Hz, or an equivalent recommended by Yamaha
Power Consumption		12 W
Dimensions (W×H×D)		149 mm×62 mm×202 mm (5.9"× 2.4"× 7.9")
Net Weight		0.9 kg (2.0 lbs)
Optional Accessory		Mic Stand Adaptor: BMS-10A
Included Accessory		AC power adaptor, Owner's Manual, Technical Specifications (this leaflet)
Operating Temperature		0 to +40°C

*1 Noise is measured with A-weighting filter. *2 Crosstalk is measured with 1 kHz band pass filter.

Analog Input Characteristics

Input Jacks	PAD 26 dB	GAIN Trim	Actual Load Impedance	For Use With Nominal	Input level			Connector
					Sensitivity *1	Nominal	Max. before clip	
MIC/LINE 1/L,2/R	OFF	+64 dB	3 kΩ	50-600 Ω Mics/Lines	-72 dBu (0.195 mV)	-60 dBu (0.775 mV)	-46 dBu (3.884 mV)	Combo jack*2 (Balanced)
		+20 dB			-28 dBu (30.85 mV)	-16 dBu (122.8 mV)	-2 dBu (615.6 mV)	
	ON	+38 dB			-46 dBu (3.884 mV)	-34 dBu (15.46 mV)	-20 dBu (77.50 mV)	
		-6 dB			-2 dBu (615.6 mV)	+10 dBu (2.451 V)	+24 dBu (12.28 V)	
LINE 3/4, 5/6	-	-	10 kΩ	600 Ω Lines	-22 dBu (61.56 mV)	-10 dBu (245.1 mV)	+4 dBu (1.228 V)	Phone jack*3 (Unbalanced)

Analog Output Characteristics

Output Jacks	Actual Source Impedance	For Use With Nominal	Output level		Connector
			Nominal	Max. before clip	
STEREO OUT L, R	75 Ω	10 kΩ Lines	+4 dBu (1.228 V)	+18 dBu (6.156 V)	XLR-3-32 *4 Phone jack *5 (Balanced)
PHONES	33 Ω	40 Ω Lines	2.4 mW + 2.4 mW	24 mW + 24 mW	Stereo phone jack

0dBu is referenced to 0.775Vrms.

*1 Sensitivity is the lowest level that will produce an output of +4 dBu (1.228 V) or the nominal output level when the unit is set to maximum gain. (All level knobs are at their maximum position.)

*2 1&Sleeve = Ground, 2&Tip = Hot, 3&Ring = Cold

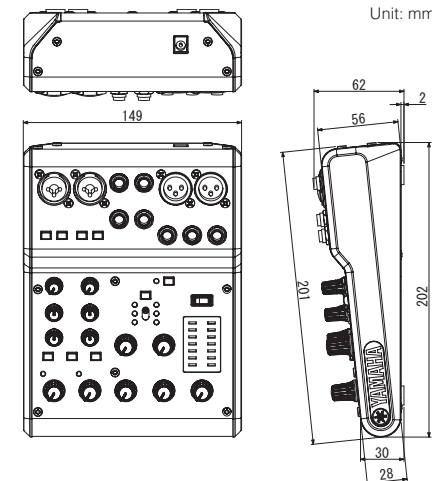
*3 Tip = Signal, Sleeve = Ground

*4 1 = Ground, 2 = Hot, 3 = Cold

*5 Tip = Hot, Ring = Cold, Sleeve = Ground

Dimensions

The illustration shows the MG06X.



* The contents of this manual apply to the latest specifications as of the publishing date. To obtain the latest manual, access the Yamaha website then download the manual file.

Block and Level Diagrams

